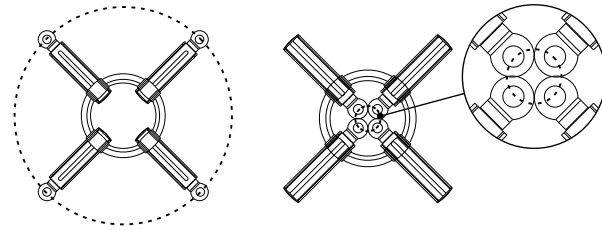
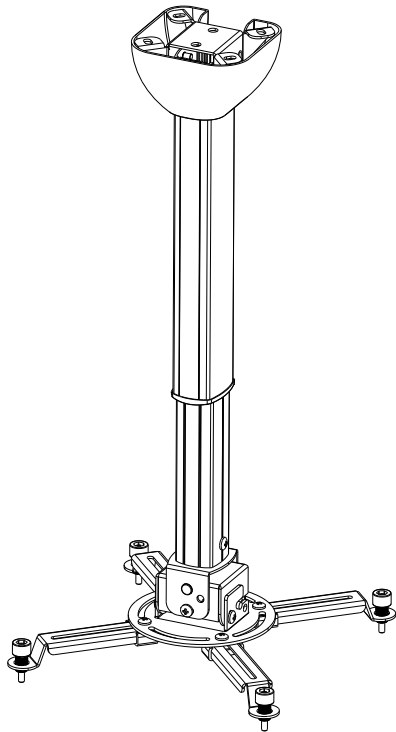


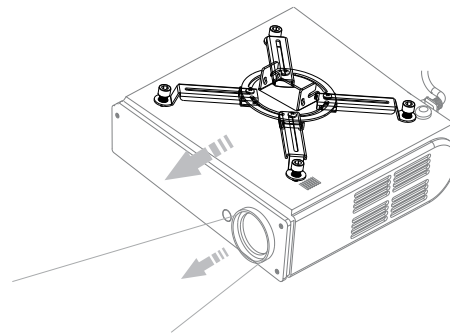
Specification for GV Adjustable Mount

Projector Ceiling Mount

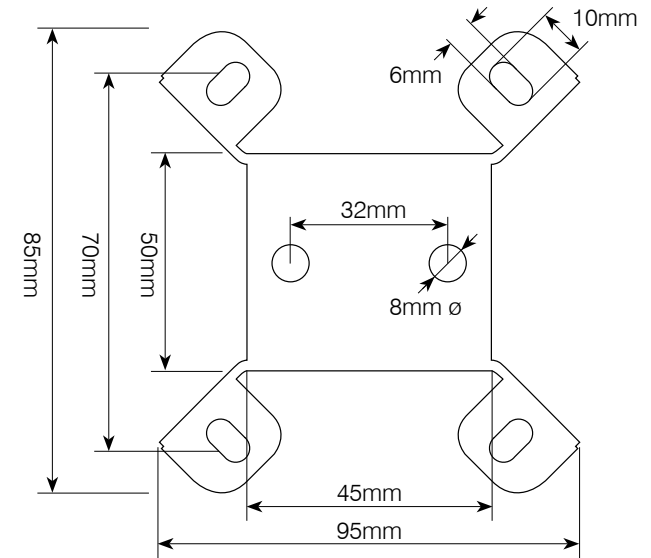


Maximum diameter: 310mm

Minimum diameter: 40mm



Ceiling Mount Bracket



Features:

- Suits most based-mounted projectors
- Adjustable Height
- Vertical Tilt angle up to ± 15 degrees
- M3, M4, M5 & M6 mounting bolts provided
- Projectors up to 10kg

Product Code	Colour	Height (mm)	Maximum Projector Weight (kg)	Shipping Size l x w x h (mm)
GRM1B400	Black	300 - 400	10	200 x 150 x 65
GRM1W400	White	300 - 400	10	200 x 150 x 65